



LED Panel 300X300:

Features:

- Energy saving up to 50%.even lighting output.
- Wide range of input voltage: AC 100~240V.
- Instant start, no flicking, no humming.
- New high efficiency constant current driver.
- Special circuit design, each group of LEDs work separately, avoiding any problem of lighting output caused or influenced by single faulty LED.
- No RF interference.

Photo:





LED panel second generation product features

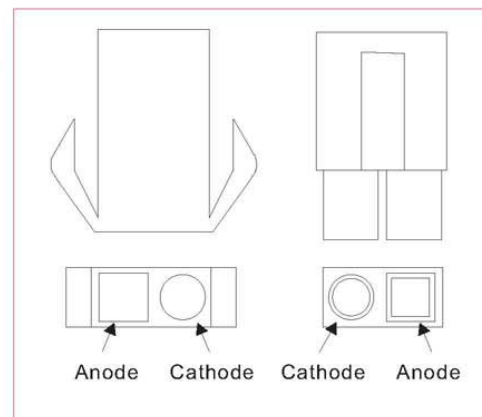
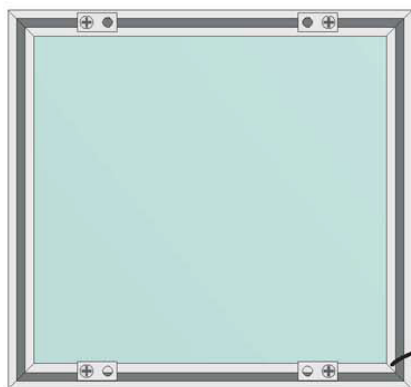
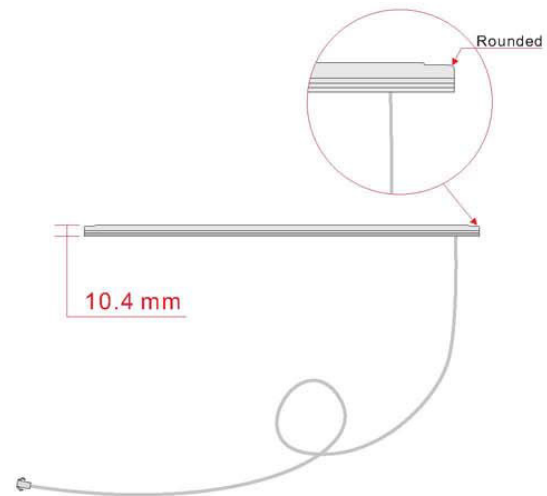
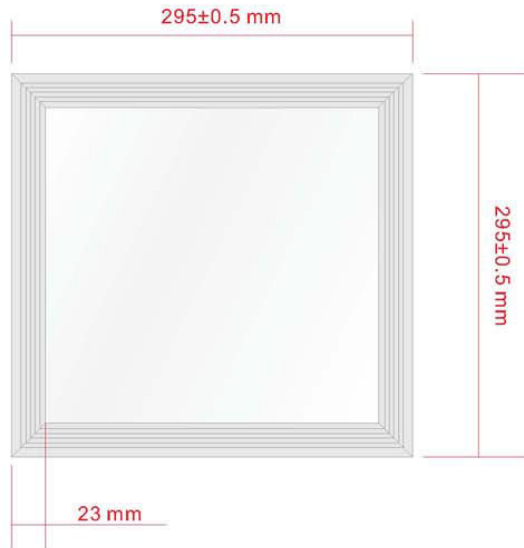
LED PANEL SPECIFICATIONS		
NUMBER	ITEM	DESCRIPTION
01	Input voltage	AC 100~240V
02	Panel Input voltage	DC 25~35V (350 mA)
03	Power consumption	9.5W
04	luminous flux	768 lm(white) 640 lm(warm white)
05	Color	White Warm white
06	Color temperature	2500~4000k(Warm white) 4000~7000k(White)
07	Life time	>50,000 Hour
08	Operating temperature	-20°C to + 50°C
09	Storage temperature	-30°C to + 60°C
10	Luminosity	>222 Lux(1.meter, White) >195 Lux(1.meter, Warm white)
11	Certificates	CE . RoHS
12	Weight	1.1 KGS
13	Size	295X295X10.4 mm
14	Water proof	IP20

Part number	Color	Voltage	Current	Power	Luminous Flux
SURP300x300-W	White	DC 25~35V	350 mA	9.5 W	768 lm
SURP300x300-WW	Warm white	DC 25~35V	350 mA	9.5 W	640 lm



Panel Size:

Front



Back

All dimension units are in millimeters ± 0.5 mm



Packing

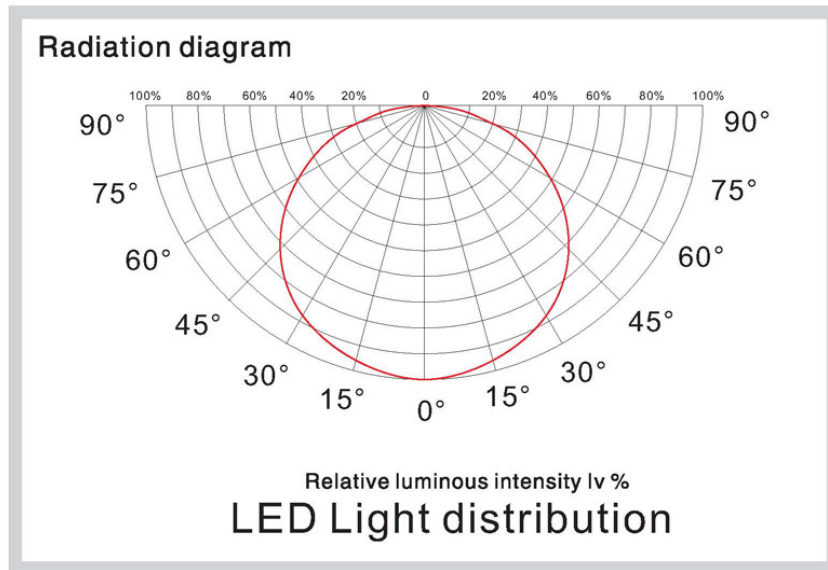
Outer carton: 35X31X6 mm

Net weight of each panel: 1.1 KG

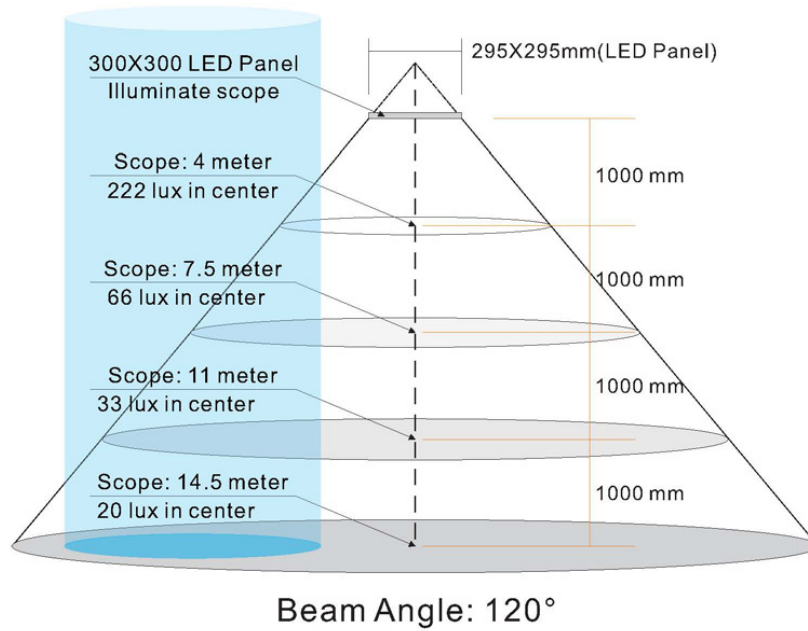
Packing Qty: 2 pcs



Light Distribution Graph



Illumination Intensity Chart:

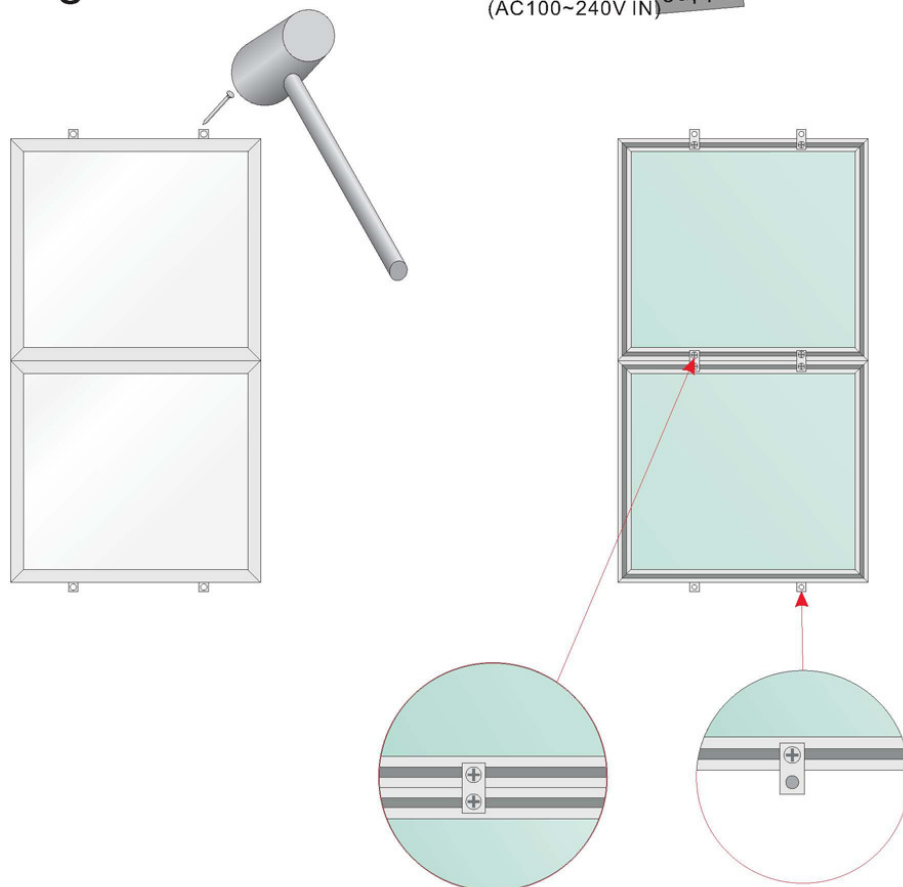
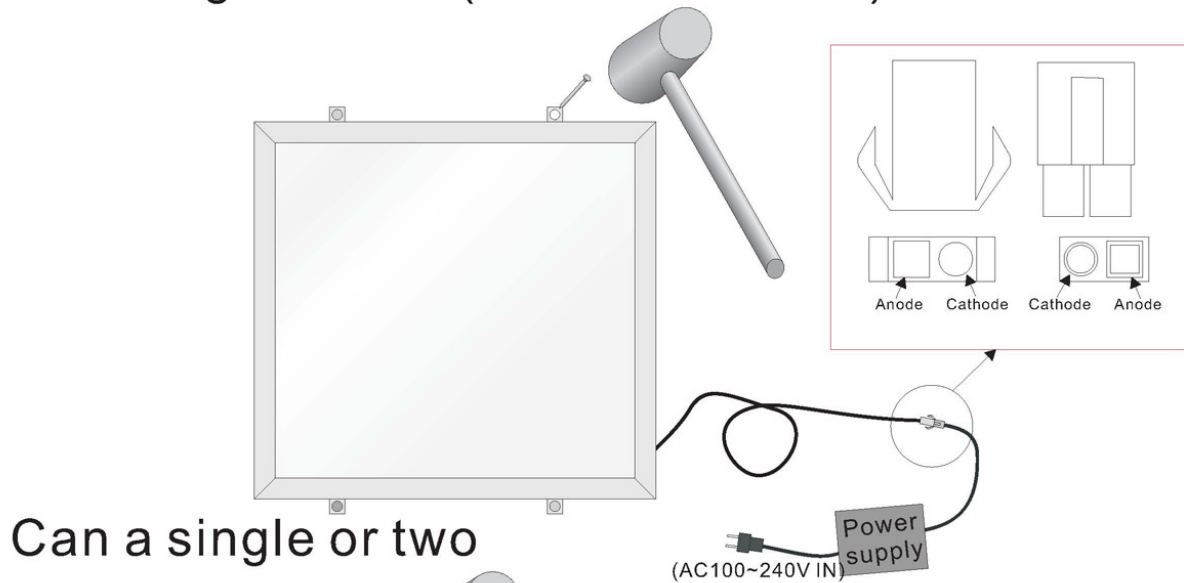


LED Lumen Attenuation:

Operating time(hours)	Lumen decrease(%)
5,000	2.3
10,000	5.4
20,000	11.5
50,000	25.2



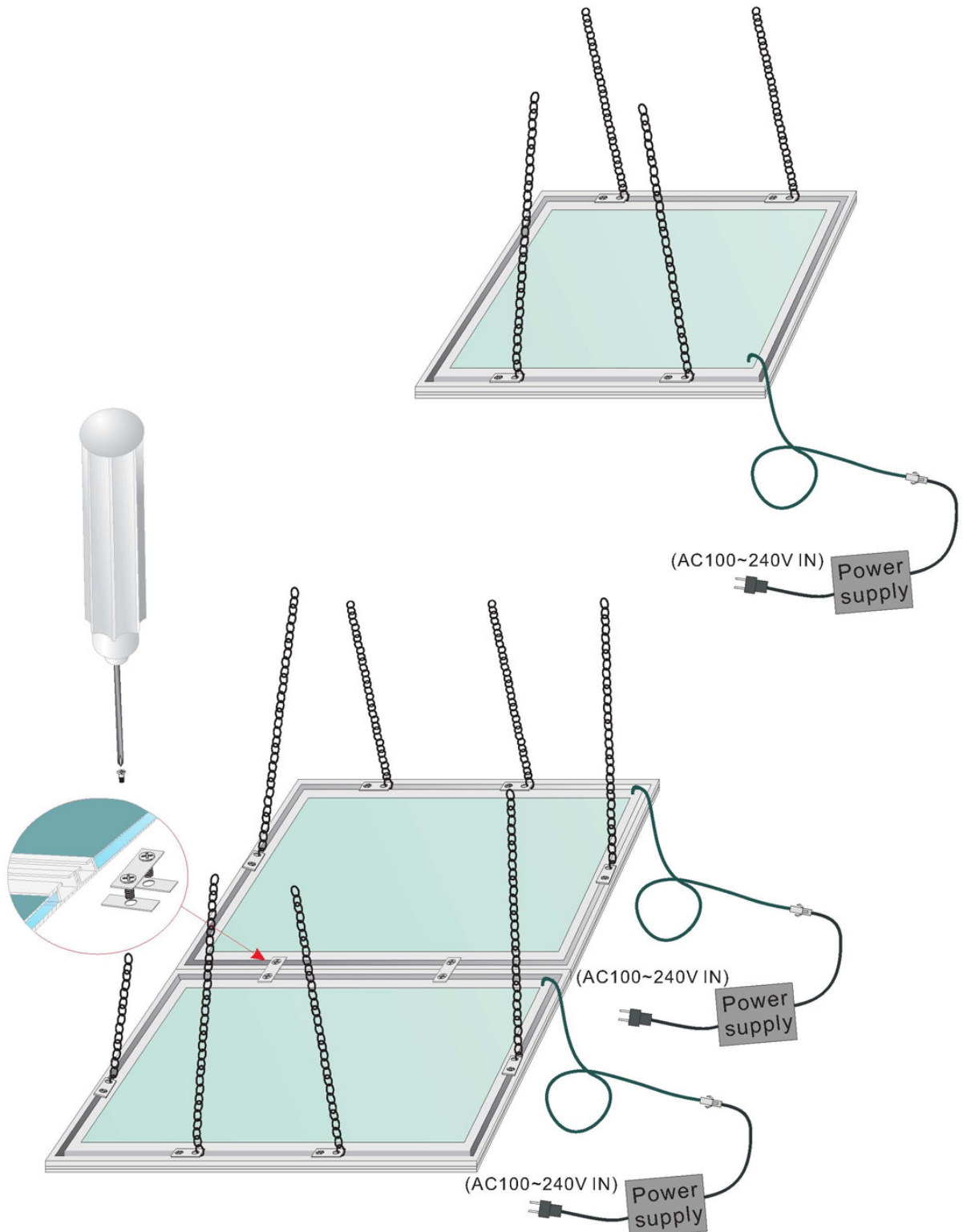
Mounting means 1 (Wall installation)



This product is simple and convenient installation. The client may be more reasonable application of the product to fit the scenic spot.



Mounting means 2 (Can a single or two)



This product is simple and convenient installation. The client may be more reasonable application of the product to fit the scenic spot.